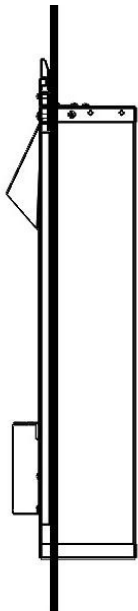


# Installation instructions

Apex Lux Polar Portrait Electric  
Apex Lux Polar Landscape Electric

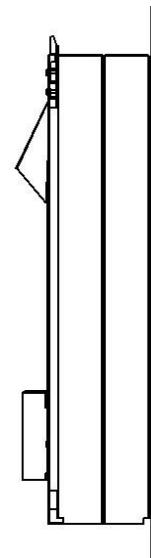
Option 1. Fully recessed installation



Option 2. Semi recessed installation



Option 3. Flat wall installation



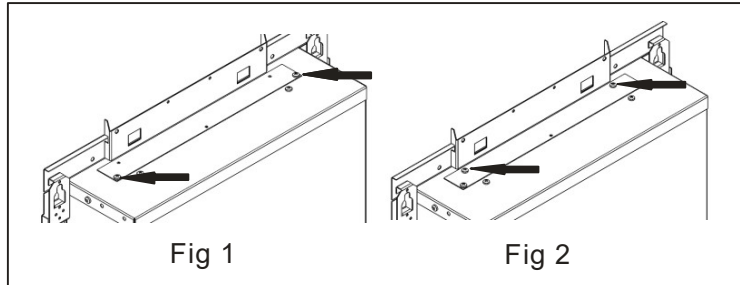
Min. 405 mm  
Max. 410 mm



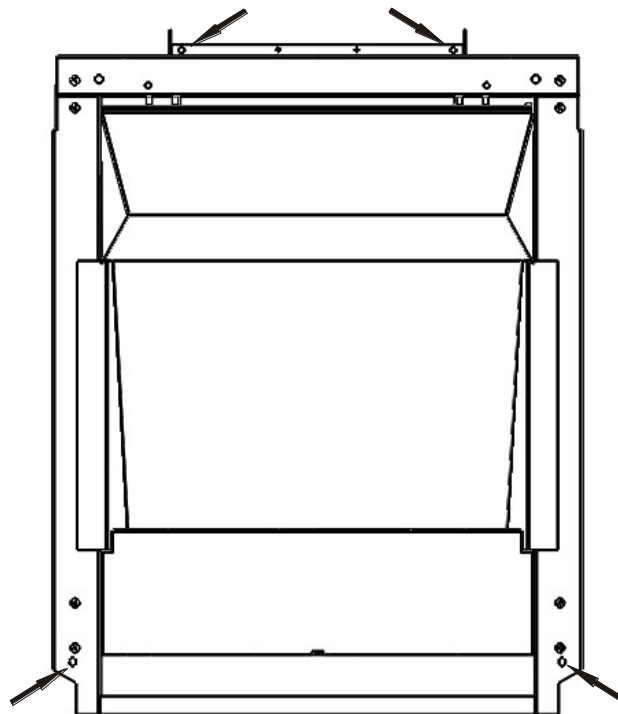
Min. 560 mm  
Max. 570 mm

## Option 1. Fully recessed installation into wall

Screw mounting plate into position using 2 x 3.5 x 6mm screws provided fig 1, then using 2 x 3.5 x 9.5mm self-cutting screws to secure front of the bracket as shown fig 2.



Mark required holes and drill, plug and fix in place with screws using as show on image

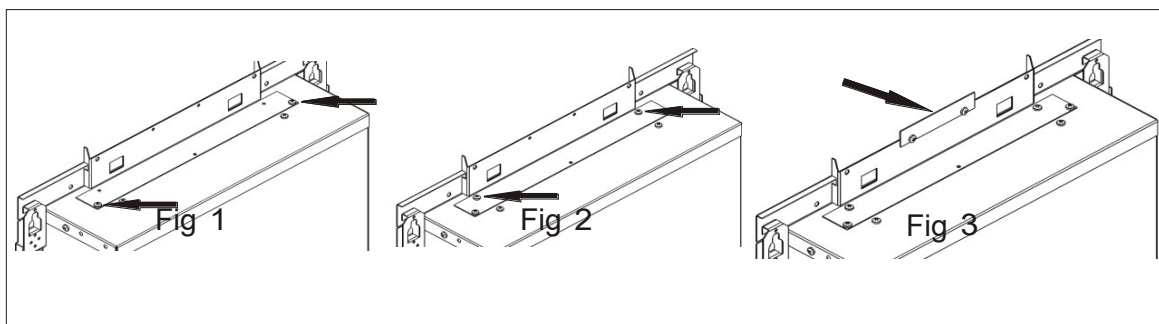


Then follow instruction in option 2 from fig 9.

If you are fitting this appliance into a cavity wall you will require a cavity box.

## Option 2. Semi recessed installation

Screw mounting plate into position using 2 x 3.5 x 6mm screws provided fig 1, then using 2 x 3.5 x 9.5mm self-cutting screws to secure front of the bracket as shown Fig 2. If you are using spacers secure top bracket with 2 x 4.2 x 6mm screw provided, see fig 3.



Mount spacers according to instruction provided with spacers.  
 Use screwdriver to fold in right angle 2 hangers in front spacer (Fig 4).  
 Using slots in mounting bracket (Fig 5) hang firebox on spacer hangers (Fig 6)

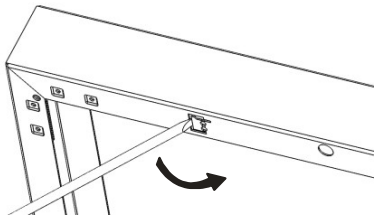


Fig 4

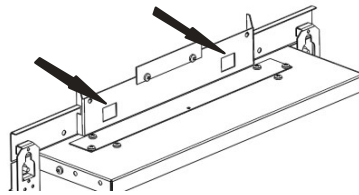


Fig 5

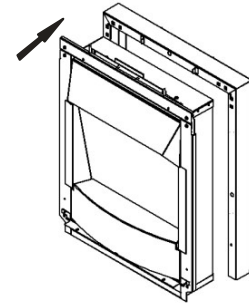


Fig 6

Remove the four screws as shown in fig.7 & 8 place the fire into the spacer frame so that its positioned centrally in the final position required and fix to the spacer frame using the 4 x 3,5 x 19 mm self-drilling screws provided with the spacer frame kit.



Fig 7

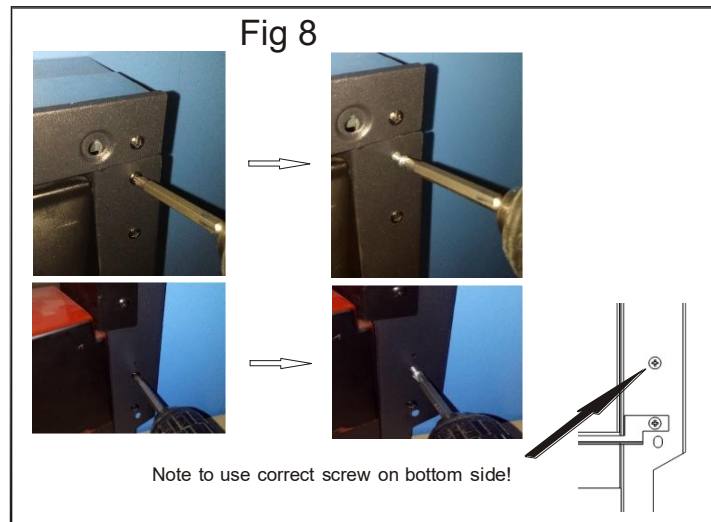


Fig 8

Remove 2 bottom screws (Fig 9), then using them place bottom bracket as shown on fig 10.

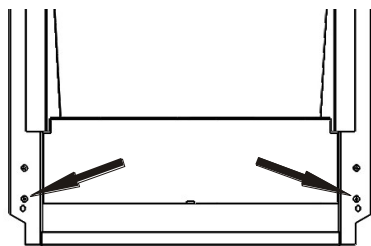


Fig 9

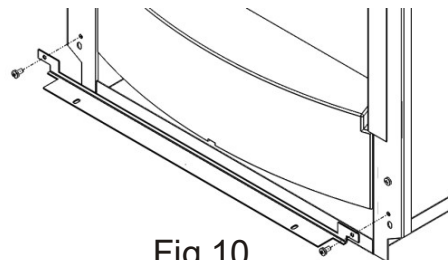


Fig 10

### Option 3. Flat wall installation

Follow instructions for semi recessed installation, but assembly 2 spacers according to instructions and fold in hanger only on front spacer (Fig 4)

## Apex front fret assembling

Fold in fret hangers in right angle (Fig 11), attach fret from front side(Fig 12), be sure hangers will go into fret slots(Fig 13)

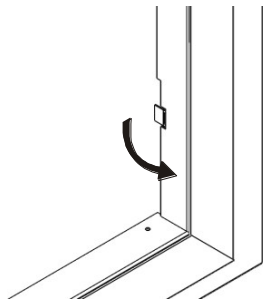


Fig 11

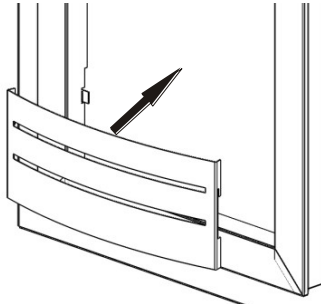


Fig 12

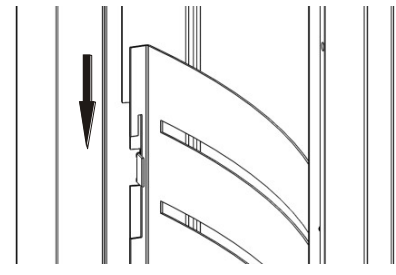


Fig 13

## Final mounting Apex front

Slide top part on the bracket first, then push bottom to the wall side. (Fig 14)

With spacer option be sure you slide in fascia in slot between secure flat bar and mounting bracket. (Fig 15)

Be sure bracket with oval shape holes is under fascia edge (Fig 16 - view from bottom side)

Secure fascia with 2 x 4,2 x 6mm screws from bottom side (Fig 17)

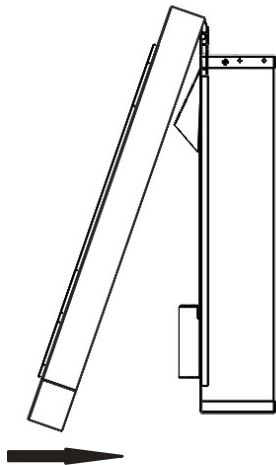


Fig 14

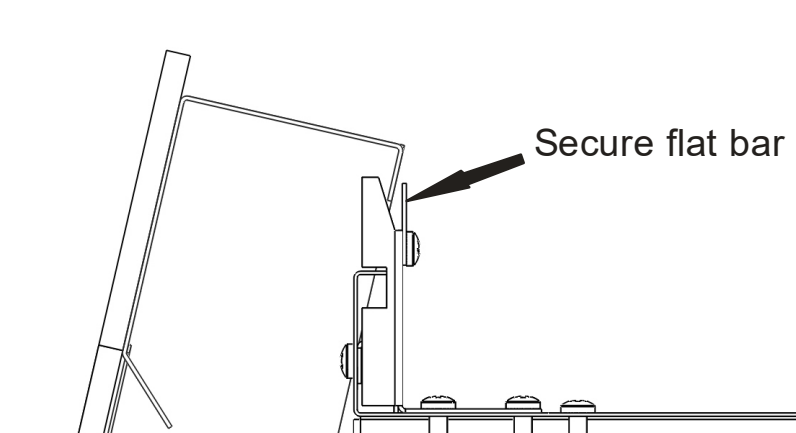


Fig 15

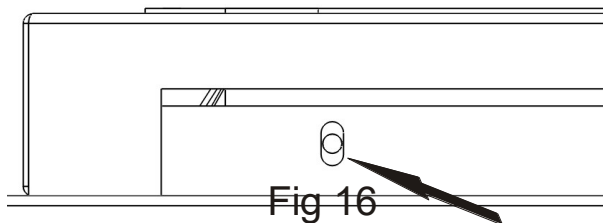


Fig 16

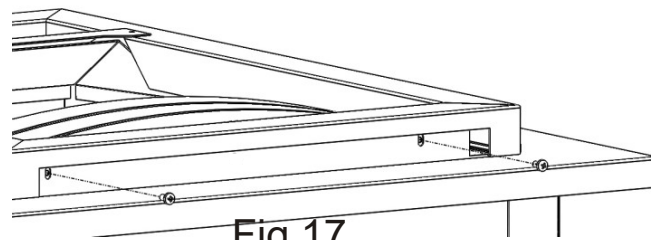


Fig 17